

greenworks™



2012 Garden Tools

Life Gets Easier™

New From GreenWorks

GreenWorks 40V and 24V products are powered by rechargeable Lithium-ion batteries which are available in standard 2A or high capacity 4A. Innovative and easy to use, the entire GreenWorks family of 40V and 24V hand-held products is designed with features and performance that make lawn care easier.

With GreenWorks, Life Gets Easier™.



40V LITHIUM

The Highest Power in the Industry - Only from GreenWorks

GreenWorks combines Lithium-ion battery technology with high-efficiency motors to create the first cordless hand-held line with gas-comparable performance.

24V LITHIUM

High-performance and longer running times give you all the run time and power you need for a beautifully finished yard. GreenWorks Tools are quieter, cleaner, lighter and easy to use, so you can get through your yard work quickly and efficiently.

GreenWorks Tools line of powerful Lithium-ion battery yard care tools offers premium performance and versatile features that empower you to get your yard work done quickly and efficiently, so that your work, and your life, gets easier. GreenWorks Tools is the best choice in gas-free yard care.

Stop wearing out your arm on a pull cord. Stop filling gas cans. The GreenWorks Lithium System of Tools requires none of that – plus our charging systems have received the ENERGY STAR® approval rating.

ENERGY STAR-approval battery charges, which are held to tight efficiency guidelines, determined by the Environmental Protection Agency and Department of Energy, reduce energy usage by an average of 35 percent from conventional yard tools.



No Emissions – Ever. The GreenWorks products that you purchase have a ZERO carbon footprint. We'll say that again. Our entire product line will never release an ounce of carbon emission into the air.

Plus, this efficiency requires no sacrifice from you. We'll provide all the power you need without polluting the air. No more tune-ups or maintenance.

No more emissions.

**No Impact
Beautiful
Yards.**

greenworks

Lithium-ion Battery Advantage

8 reasons why GreenWorks Tools' revolutionary Lithium-ion battery technology delivers maximum performance, outstanding power and longer full-power run time.

- » **Longer Run Times** • Up to 3x longer run times than traditional NiCd batteries, reducing need to recharge during long periods of use. Great for bigger yards.
- » **Full Power for Duration of Charge** • Lithium-ion battery power doesn't fade. Unlike the gradual decline in the power of a nickel-cadmium battery, Lithium-ion cells maintain consistent power throughout the entire cycle. You get virtually the same power from start to finish, and without RPM fade. Runs at full power until "empty."
- » **Long-Lasting Charge & 3-4 Times Longer Life Span** • Lithium-ion batteries have 3 to 4 times the number of charge cycles compared to traditional nickel-cadmium batteries, while also offering extended storage times with less self-discharge. Up to 2,000 charge cycles with Lithium-ion!
- » **Lightest Weight** • Lithium-ion batteries have the best power to weight ratio. They typically are about 1/3 the weight of NiCd batteries.
- » **Environmentally Friendly** • GreenWorks Tools Lithium-ion batteries are recyclable and are manufactured without heavy metals.
- » **No Memory Effect** • Lithium-ion batteries can be charged any time with no negative memory effect, so they will be at peak power even after hundreds of charge cycles. Even a few minutes of charging gives you enough full power to finish the job.
- » **Low Discharge Rate** • Lithium-ion batteries have a low discharge rate (up to 5x less than NiCd batteries) so your tool will be ready to use even after months of no use, even in extreme heat or cold.
- » **Energy-Star Approved Chargers** • All GreenWorks Tools Lithium-ion battery chargers are Energy Star rated and reduce energy usage by an average of 35%.



**12" 24V
Lithium-ion Battery
Trimmer/Edger**

Model: 21222

Features

- » 10"/12" adjustable cutting path
- » .065 automatic single line feed
- » 24 Volt high power rechargeable Lithium-ion battery. Available in standard 2A and high capacity 4A

Specifications

- » Easy edger - converts from trimmer to edger at push of a button
- » Multi-position pivoting head
- » Cushion and over-mold grips and handles for operator comfort
- » Comfort reach - cushioned forearm rest for comfort and leverage
- » Lock-off switch helps prevent accidental start ups
- » Variable speed switch for normal to max trimming speed

Swivel adjustable head

Easy edger converts from trimmer to edger with push of a button

Features

- » 12" cutting path
- » .065 automatic single line feed
- » 20 Volt rechargeable Lithium-ion battery. Available in standard 2.6A and high capacity 5.5A

Specifications

- » Easy edger - converts from trimmer to edger with push of a button

**12" 20V
Lithium-ion Battery
Trimmer/Edger**

Model: 21602

Easy edger converts from trimmer to edger with push of a button

**12" 40V
Lithium-ion Battery
Trimmer/Edger**

Model: 21237

Features

- » 10"/12" adjustable cutting path
- » .065 automatic single line feed
- » 40 Volt high power rechargeable Lithium-ion battery. Available in standard 2A and high capacity 4A

Specifications

- » Easy edger - converts from trimmer to edger with push of a button
- » Multi-position pivoting head
- » Variable speed - switch to max speed to tackle the toughest weeds
- » Cushion and over-mold grips and handles for operator comfort
- » Comfort reach - cushioned forearm rest for comfort and leverage
- » Lock-off switch helps prevent accidental start ups

Swivel adjustable head

**13" 4A Electric
String Trimmer**

Model: 21212

Features

- » 13" cutting path
- » .065 automatic single line feed
- » 4A motor

Specifications

- » 180° rotating handle for edging
- » Adjustable telescoping shaft to accommodate operator's height
- » Cord lock prevents cord from disconnecting

Adjustable telescoping shaft to accommodate operator's height

Adjustable telescoping shaft to accommodate operator's height

**15" 5.5A Electric
String Trimmer**

Model: 21052

Features

- » 15" cutting path
- » .065 automatic single line feed
- » 5.5A motor

Specifications

- » 3-position pivoting head tilts for hard to trim areas
- » 180° rotating handle for edging
- » Adjustable telescoping shaft to accommodate operator's height
- » Cord lock prevents cord from disconnecting

Specifications:

- » 24" blade length, dual action steel blades
- » 2/3 cutting capacity
- » 40 Volt high power rechargeable Lithium-ion battery Available in standard 2A and high capacity 4A

Features:

- » Rotating rear handle for trimming comfort at multiple angles
- » Cushion and over-mold grips and handles for operator comfort
- » Clear view knuckle guard see-through design for precision cutting
- » Rear handle lock-off switch helps prevent accidental start ups

**24" 40V
Lithium-ion Battery
Rotating Hedge
Trimmer**

Model: 22637



Dual action steel blades

Specifications:

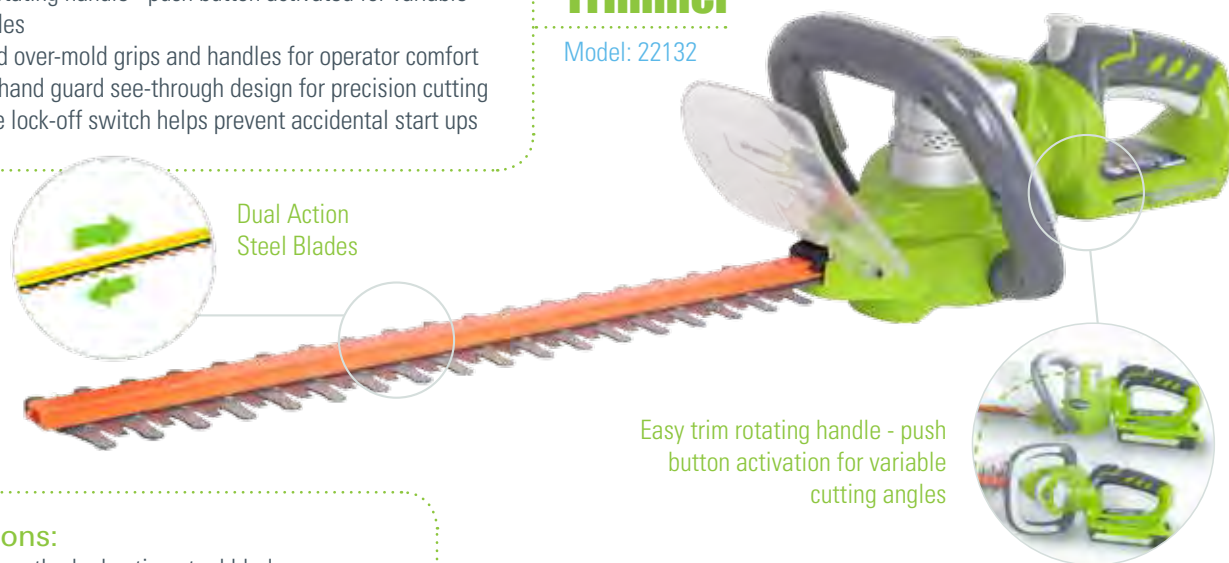
- » 22" blade length, dual action steel blades
- » 2/3" cutting capacity
- » 24 Volt high power rechargeable Lithium-ion battery. Available in standard 2A and high capacity 4A

Features:

- » Easy trim rotating handle - push button activated for variable cutting angles
- » Cushion and over-mold grips and handles for operator comfort
- » Clear view hand guard see-through design for precision cutting
- » Rear handle lock-off switch helps prevent accidental start ups

**22" 24V
Lithium-ion Battery
Rotating Hedge
Trimmer**

Model: 22132



Dual Action Steel Blades

Easy trim rotating handle - push button activation for variable cutting angles

Specifications:

- » 22" blade length, dual action steel blades
- » 9/16" cutting capacity"
- » 20 Volt rechargeable Lithium-ion battery. Available in standard 2.6A and high capacity 5.5A

Features:

- » 3-sided comfort handle for trimming at multiple angles
- » Clear view hand guard see-through design for precision cutting
- » Lock-off switch helps prevent accidental start ups

**22" 20V
Lithium-ion Battery
Hedge Trimmer**

Model: 22612



Specifications:

- » 22" blade length
- » Dual Action Steel Blades
- » 4A motor

Features:

- » Easy Trim Rotating Handle for variable cutting angles
- » Integrated cord lock
- » Cushioned over-mold grip for operator comfort

**22" 4A Electric
Rotating Hedge
Trimmer**

Model: 22145



Specifications:

- » 18" blade length, dual action steel blades
- » 3/8" cutting capacity
- » 2.7A motor

Features:

- » Integrated cord lock prevents cord from disconnecting
- » Lock-off switch helps prevent accidental start ups

**18" 2.7A Electric
Hedge Trimmer**

Model: 22102



Specifications:

- » 22" blade length, dual action steel blades
- » 9/16" cutting capacity
- » 4A motor

Features:

- » 3-sided comfort handle for trimming at multiple angles
- » Integrated cord lock prevents cord from disconnecting
- » Lock-off switch helps prevent accidental start ups

**22" 4A Electric
Hedge Trimmer**

Model: 22112

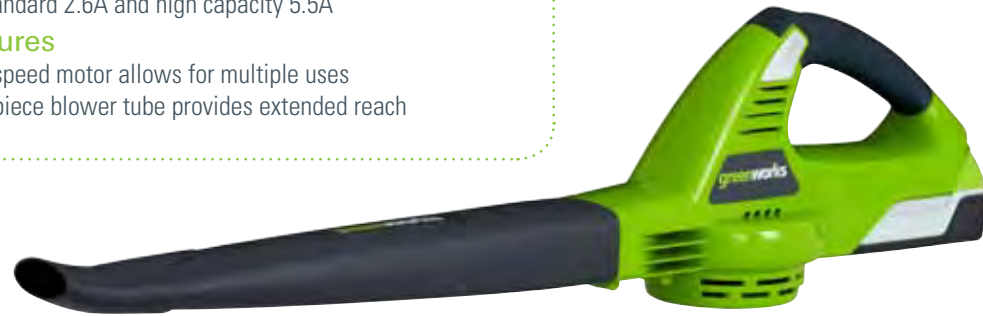


Specifications

- » 132 MPH Blower
- » 20 Volt rechargeable Lithium-ion battery. Available in standard 2.6A and high capacity 5.5A

Features

- » 2-speed motor allows for multiple uses
- » 2-piece blower tube provides extended reach



20V Lithium-ion Battery Blower

Model: 24602

Specifications

- » 90/130 MPH
- » 24 Volt high power rechargeable Lithium-ion battery. Available in standard 2A and high capacity 4A

Features

- » 2-speed button easily shifts from normal to max air speed
- » Cushion over-mold grip for operator comfort



24V Lithium-ion Battery Blower

Model: 24127

Specifications

- » 90/150 MPH
- » 40 Volt high power rechargeable Lithium-ion battery. Available in standard 2A and high capacity 4A

Features

- » 2-speed button easily shifts from normal to max air speed
- » Adjustable nozzle tip widens or narrows for targeted air flow
- » Cushion over-mold grip for operator comfort



40V Lithium-ion Battery Blower

Model: 24107

7A 160 MPH Electric Blower

Model: 24012



Specifications

- » 160 MPH
- » 7A motor

Features

- » Integrated cord lock prevents cord from disconnecting

Specifications

- » 150/235 MPH / 380 CFM
- » 12A motor

Features

- » 16:1 mulch ratio
- » Magnesium impeller increases mulch ratio while eliminating debris jams
- » 1 bushel snap-on shoulder bag with shoulder harness
- » Tool-less conversion from blower to vac/mulcher
- » Reduces 16 bags of raked leaves into 1 bag of mulched leaves
- » Variable speed blower for varied tasks

12A Mulching Electric Blower/Vac

Model: 24072



12A 2-Speed Electric Blower/Vac

Model: 24022



Specifications

- » 150/230 MPH / 380 CFM
- » 12A 2-speed motor

Features

- » 14:1 mulch ratio
- » 1 bushel snap-on shoulder bag with shoulder harness
- » Tool-less conversion from blower to vac/mulcher
- » Reduces 14 bags of raked leaves into 1 bag of mulched leaves

**10" 20V
Lithium-ion Battery
Chain Saw**

Model: 20602



- Specifications:**
- » 10" bar and chain
 - » 20 Volt high power rechargeable Lithium-ion battery. Available in standard 2.6A and high capacity 5.5A
- Features:**
- » Over-mold handle grip for operator comfort
 - » Tooled chain tensioning with quick adjust knob
 - » Auto oiler with clear view window for easy oil level check

- Specifications:**
- » 10" bar and chain
 - » 24 Volt high power rechargeable Lithium-ion battery. Available in standard 2A and high capacity 4A

- Features:**
- » Cushion over mold handles and grips for operator comfort
 - » Tool-less chain tensioning with quick adjust knob
 - » Hand guard for added protection
 - » Rear handle lock-off switch to prevent accidental start ups
 - » Auto oiler with clear view window for easy oil level check



**10" 24V
Lithium-ion Battery
Chain Saw**

Model: 20092

- Specifications:**
- » 12" bar and chain
 - » 40 Volt high power rechargeable Lithium-ion battery. Available in standard 2A and high capacity 4A

- Features:**
- » Cushion over mold handles and grips for operator comfort
 - » Tool-less chain tensioning with quick adjust knob
 - » Hand guard for added protection
 - » Rear handle lock-off switch helps prevent accidental start ups
 - » Auto oiler with clear view window for easy oil level check

**12" 40V
Lithium-ion Battery
Chain Saw**

Model: 20087



**14" 9A
Chain Saw**

Model: 20012



- Specifications:**
- » 14" bar and chain
 - » 26" cutting capacity
 - » 9A motor
- Features:**
- » Tool-less chain tensioning with quick adjust knob

- Specifications:**
- » 16" bar and chain
 - » 30" cutting capacity
 - » 12A motor

- Features:**
- » Over-mold handle for operator comfort
 - » Tool-less chain tensioning with quick adjust knob

**16" 12A
Chain Saw**

Model: 20022



**18" 13A
Chain Saw**

Model: 20032



- Specifications:**
- » 18" bar and chain
 - » 34" cutting capacity
 - » 13A motor
- Features:**
- » Over-mold handles for operator comfort
 - » Mechanical chain brake makes for safe cutting
 - » Tool-less chain tensioning with quick adjust knob
 - » Auto oiler with clear view window for easy oil level check

8" 24V Lithium-ion Battery Pole Saw

Model: 20102

Specifications:

- » 8" bar and chain
- » 24 Volt high power rechargeable Lithium-ion battery. Available in standard 2A and high capacity 4A
- » In-line motor for unobstructed view of cutting area

Features:

- » 3-piece shaft to accommodate operator's height
- » Cushion over-mold handle grips for operator comfort
- » Comfort reach - cushioned forearm rest for comfort and leverage
- » Easy chain tensioning with quick adjust knob
- » Rear handle lock
- » Auto oiler with clear view window for easy oil level check-off switch helps prevent accidental start ups



Specifications:

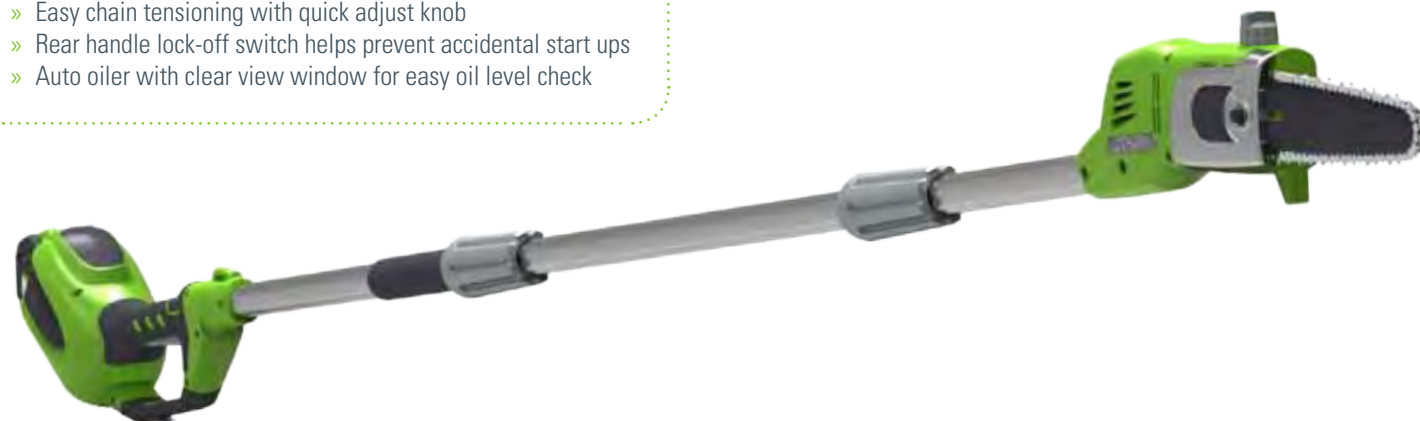
- » 10" bar and chain
- » 40 Volt high power rechargeable Lithium-ion battery. Available in standard 2A and high capacity 4A
- » In-line motor for unobstructed view of cutting area

Features:

- » 3-piece shaft to accommodate operator's height
- » Cushion over-mold handle grips for operator comfort
- » Comfort reach - cushioned forearm rest for comfort and leverage
- » Easy chain tensioning with quick adjust knob
- » Rear handle lock-off switch helps prevent accidental start ups
- » Auto oiler with clear view window for easy oil level check

10" 40V Lithium-ion Battery Pole Saw

Model: 20627



8" 20V Lithium-ion Battery Pole Saw

Model: 20612

Specifications:

- » 8" bar and chain
- » 20 Volt rechargeable Lithium-ion battery. Available in standard 2.6A and high capacity 5.5A
- » 14" cutting capacity

Features:

- » Over-mold handle for operator comfort
- » Tool-less chain tensioning with quick adjust knob
- » Auto oiler with clear view window for easy oil level check
- » Rear handle lock-off switch prevents accidental startups



Specifications:

- » 10" bar and chain
- » 7A motor

Features:

- » Over-mold handle for operator comfort
- » Easy adjust chain tensioning system
- » Auto oiler with clear view window for easy oil level check

10" 7A 2-in-1 Electric Pole Saw

Model: 20062



**16" 40V 2-in-1
Lawn Mower**

Model: 25157



Specifications:

- » 16" cutting path
- » 40 Volt high power rechargeable Lithium-ion battery. Available in standard 2A and high capacity 4A
- » 7" rear wheels, 6" front wheels

Features:

- » Durable poly plastic deck
- » Rear bagging capable - collection bag included
- » Mulching capable - mulch plug included
- » 7-position single lever height adjustment cuts grass from 1.5" to 3.5"
- » Includes 40V battery and charger

**18" 24V 2-in-1
Self Propelled
Lawn Mower**

Model: 25092



Specifications:

- » 18" cutting path
- » 24 Volt 20A rechargeable
- » 8" rear wheels, 7" front wheels

Features:

- » Durable steel cutting deck
- » Rear bagging capable - collection bag included
- » Mulching capable - mulch plug included
- » 7-position single lever height adjustment cuts grass from 1¼" - 3½"
- » Includes 24V battery and charger

Specifications:

- » 19" cutting path
- » 40 Volt high power rechargeable Lithium-ion battery. Available in standard 2A and high capacity 4A
- » 8" rear wheels, 7" front wheels

Features:

- » Durable poly plastic cutting deck
- » Rear bagging capable - collection bag included
- » Mulching capable - mulch plug included
- » Side discharge chute
- » 7-position single lever height adjustment cuts grass from 1.5" to 3.5"
- » Includes two 40V batteries and a charger



**19" 40V 3-in-1
Lawn Mower**

Model: 25167

Specifications:

- » 20" cutting path
- » 24 Volt 20A rechargeable
- » 10" rear wheels, 7" front wheels

Features:

- » Durable steel cutting deck
- » Rear bagging capable - collection bag included
- » Mulching capable - mulch plug included
- » Side discharge chute included
- » 7-position single lever height adjustment cuts grass from 1-¾" - 3½"
- » Includes 24V battery and charger



**20" 24V 3-in-1
Lawn Mower**

Model: 25222

18" 12A 2-in-1 Lawn Mower

Model: 25012



Specifications:

- » 18" cutting path
- » 12A motor
- » 7" rear and front wheels

Features:

- » Durable steel cutting deck
- » 7-position single lever height adjustment cuts grass from 1 3/4" - 3 3/4"
- » Easy cam lock on handle allows for easy folding and storage
- » Cord lock prevents cord from disconnecting

20" 12A 3-in-1 Electric Push Mower

Model: 25022

Specifications:

- » 20" cutting path
- » 12A motor
- » 10" rear wheels, 7" front wheels

Features:

- » Durable steel cutting deck
- » Rear bagging capable - collection bag included
- » Mulching capable - mulch plug included
- » Side discharge chute
- » 7-position single lever height adjustment cuts grass from 1 3/4" - 3 3/4"
- » Easy cam lock on handle allows for easy folding and storage
- » Cord lock prevents cord from disconnecting



16" 5 Blade Reel Mower

Model: 25052



Specifications:

- » 16" cutting path
- » 2" rear roller
- » 10" front wheels

Features:

- » Height adjustable 1" to 2 1/2"
- » Includes collection bag

Specifications:

- » 18" cutting path
- » 6" rear roller
- » 10" front wheels

Features:

- » Height adjustable 1 3/4" - 2 3/4"
- » Includes collection bag

18" 5 Blade Reel Mower

Model: 25062



20" 5 Blade Reel Mower

Model: 25072



Specifications:

- » 20" cutting path
- » 6" rear roller
- » 10" front wheels

Features:

- » Height adjustable 1 3/4" - 2 3/4"
- » Includes collection bag

15A Electric Yard Chipper

Model: 24052



Specifications:

- » 1 3/8" cutting diameter
- » 15A motor
- » 7" wheels for easy relocation

Features:

- » Push paddle makes feeding material into the hopper safe and simple
- » Includes additional set of reversible blades
- » Integrated cord lock prevents cord from disconnecting

Specifications:

- » 7 1/2" double-edge blade
- » 12A motor

Features:

- » Spring assist front wheel for variable blade depth
- » Integrated cord lock prevents cord from disconnecting



7.5" 12A Electric Edger

Model: 27032

16" 14A Electric Yard Vac

Model: 26262



Specifications:

- » 16" vacuuming path
- » 14A motor
- » 16:1 mulch ratio
- » 6" metal impeller

Features:

- » Vacuums and mulches dry leaves and yard debris into usable compost
- » 6-position single lever height adjustment
- » Intended for use on dry material only

8A Electric Cultivator

Model: 27012



Specifications:

- » 8A motor

Features:

- » Adjustable tilling depth stake
- » Convenient lift handle
- » 4 forward rotating tines
- » Foldable handle makes storage easy
- » Top-mount motor for increased balance and stability
- » Removable tines allow for tilling widths of 8 1/4" or 10"

Specifications:

- » 14" de-thatching path
- » 10A motor

Features:

- » Stainless steel tines stay sharp longer for reliable performance
- » Cushion over mold grip and bale switch for operator comfort
- » 3-position tine depth adjustment for removing matted layers for healthy lawn growth
- » Includes additional set of 18 replacements tine assemblies
- » Integrated cord lock prevents cord from disconnecting

14" 10A Electric De-thatcher

Model: 27022





12" 7A Electric Snow Thrower

Model: 26012

Specifications

- » 12" clearing width
- » 4" clearing depth
- » 7A motor

Features

- » Impeller size 10"
- » Discharge distance up to 20'

Specifications

- » 16" clearing width
- » 6" clearing depth
- » 9A motor

Features

- » Impeller size 14"
- » Discharge distance up to 25'



16" 9A Electric Snow Thrower

Model: 26022

Specifications

- » 20" clearing width
- » 10" cleaning depth
- » 12A motor

Features

- » Impeller size 18"
- » Discharge distance up to 30'

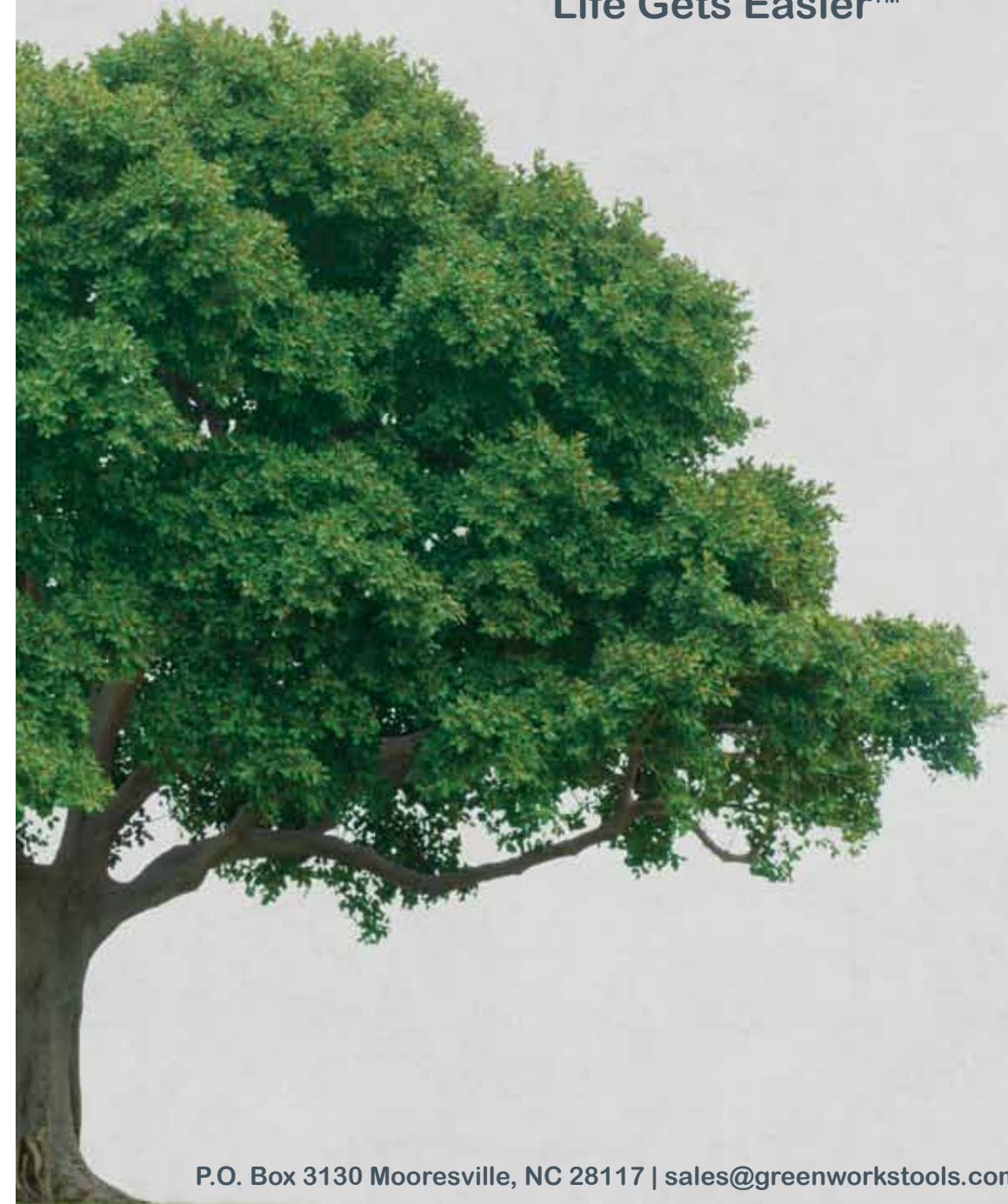
20" 12A Electric Snow Thrower

Model: 26032



greenworks™

Life Gets Easier™



P.O. Box 3130 Mooresville, NC 28117 | sales@greenworkstools.com | 1-888-90-WORKS



Life Gets Easier™

